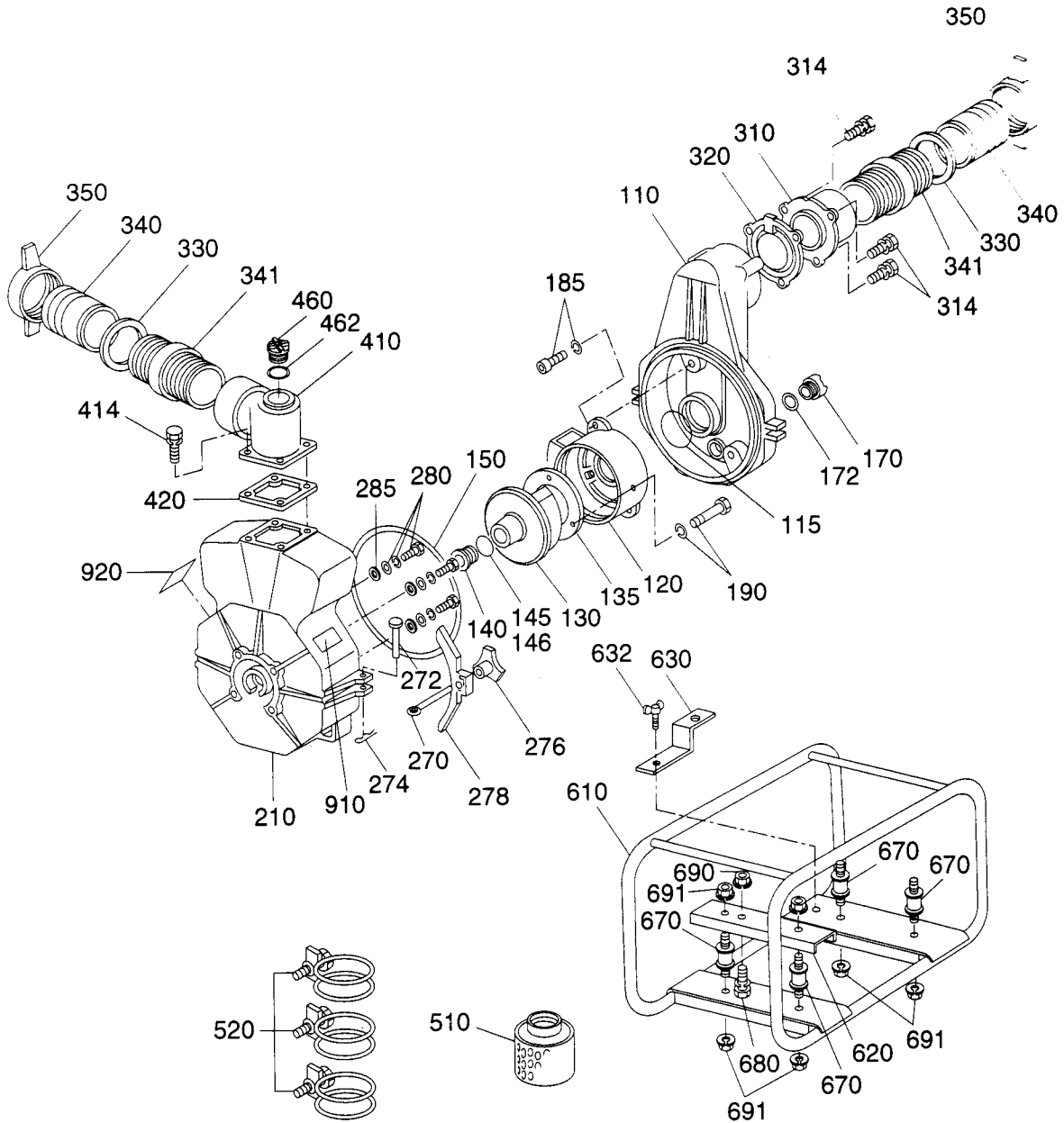


FIG. 4200



4 2 PUMP (PTG208T)

REF.	PART NUMBER	PART NAME	QTY	REMARKS	CODE NO. FROM-TO	INTERCHANGEABLE PART NUMBER	UNIT PRICE	FIG.
110	481-00000-62	CASING	1		-			4200
115	480-05210-20	O RING	1		-			4200
120	481-00000-63	INNER CASING	1		-			4200
130	480-05210-04	IMPELLER	1		-			4200
135	481-00000-64	LINER	1		-			4200
140	480-05210-08	MECHANICAL SEAL	1		-			4200
145	480-08010-37	SHIM	1	T=0.3	-			4200
146	480-08010-38	SHIM	1	T=0.6	-			4200
150	480-05210-17	PACKING	1		-			4200
170	480-05010-21	PLUG, DRAIN	1		-			4200
172	480-05010-22	PACKING, PLUG	1		-			4200
185	480-05210-29	SOCKET BOLT	2		-			4200
190	480-05210-29	SOCKET BOLT	3		-			4200
210	480-05210-02	CASING COVER	1		-			4200
270	480-05210-13	COVER BOLT	2		-			4200
272	480-05210-14	RIVET	2		-			4200
274	480-05210-34	SPRING PIN	2		-			4200
276	480-05210-15	KNOB	2		-			4200
278	480-05210-16	CASING COVER HOLDER	2		-			4200
280	481-00001-44	FLANGE BOLT	4		-			4200
285	481-00001-43	WASHER	4		-			4200
310	481-00000-65	SUCTION FLANGE	1		-			4200
314	480-05010-14	BOLT & WASHER AY	3		-			4200
320	481-00000-67	CHECK VALVE	1		-			4200
330	480-05010-17	PACKING, NIPPLE	2		-			4200
340	480-05010-18	NIPPLE	2		-			4200
341	480-05310-30	NIPPLE	2		-			4200
350	480-05010-16	COUPLING	2		-			4200
410	481-00000-66	DELIVERY FLANGE	1		-			4200
414	480-05010-14	BOLT & WASHER AY	4		-			4200
420	480-05010-20	PACKING	1		-			4200
460	480-05010-21	PLUG, DRAIN	1		-			4200
462	480-05010-22	PACKING, PLUG	1		-			4200
510	480-05210-33	STRAINER	1		-			4200
520	480-05010-28	HOSE BAND	3		-			4200
610	481-00001-50	FRAME	1		-			4200

