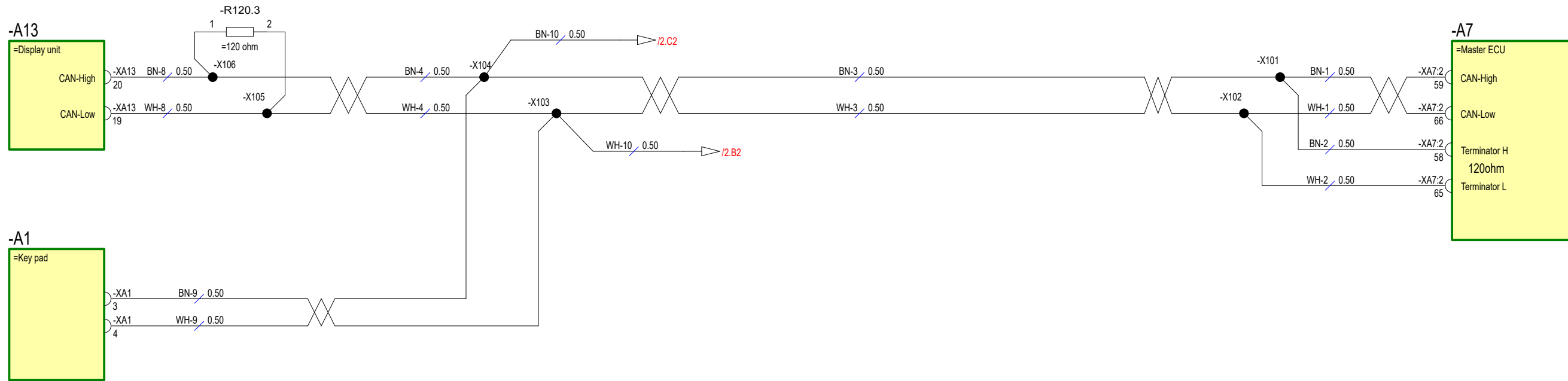


This document will remain the property of Dynapac Compaction Equipment AB and may not without a written permission of the said company be copied, communicated to any third part or used for manufacturing purposes.

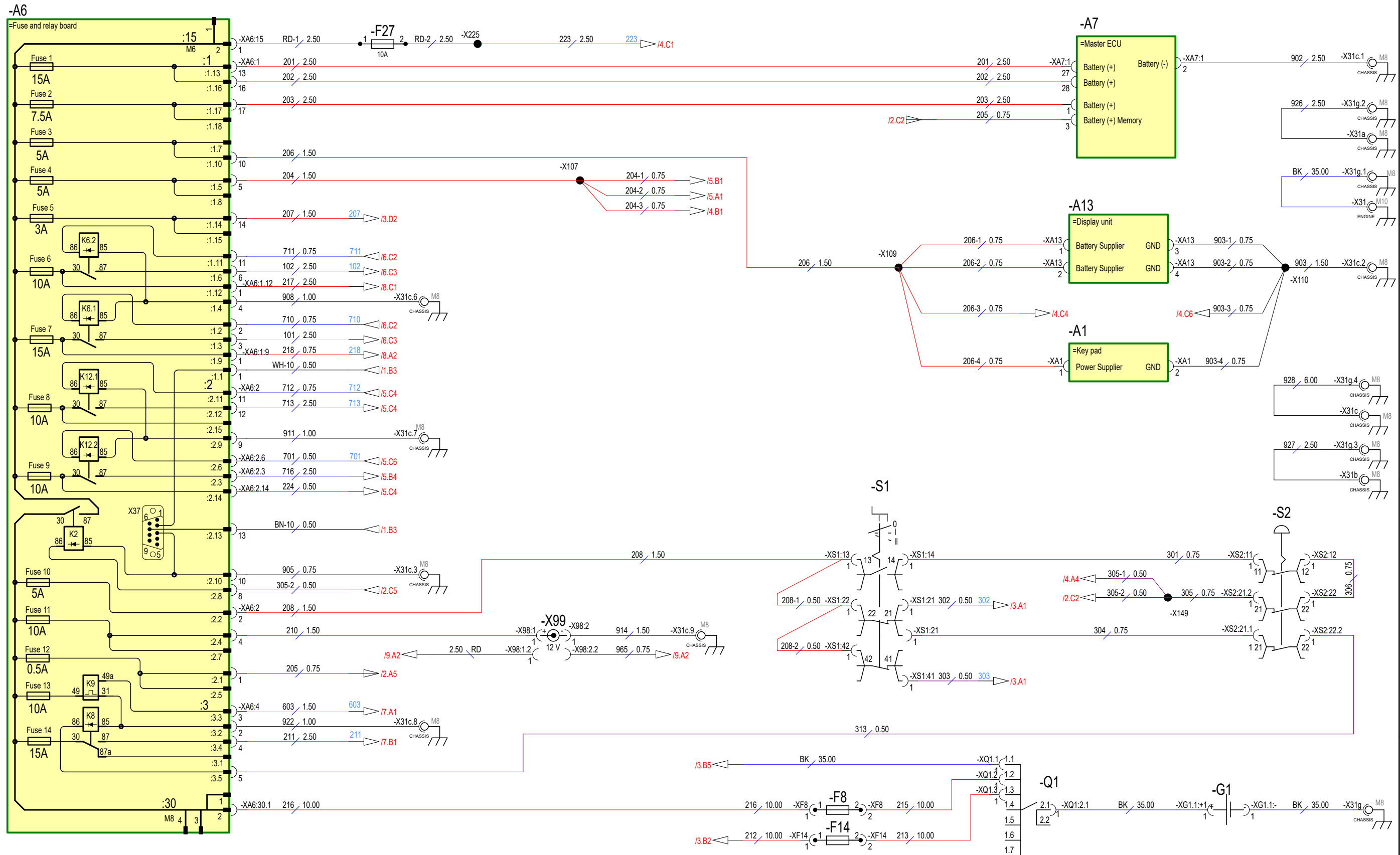
Dynapac A3 - Rev. 2017/02/28 - SFTRoP



View 	Designed by SFTRoP	Approved by SFTLEO	Project CC1100-1200 VI K3	Model CC1100-1200	
	ECN No.			Secrecy Class Dyn STD364 Confidential	Scale
DYNAPAC		Date 160708	Description Electric diagram CAN Network	State Production	Sheet / of 1 / 10
		No of Change		Rev. A	No. 4812125765

This document will remain the property of Dynapac Compaction Equipment AB and may not without a written permission of the said company be copied, communicated to any third part or used for manufacturing purposes.

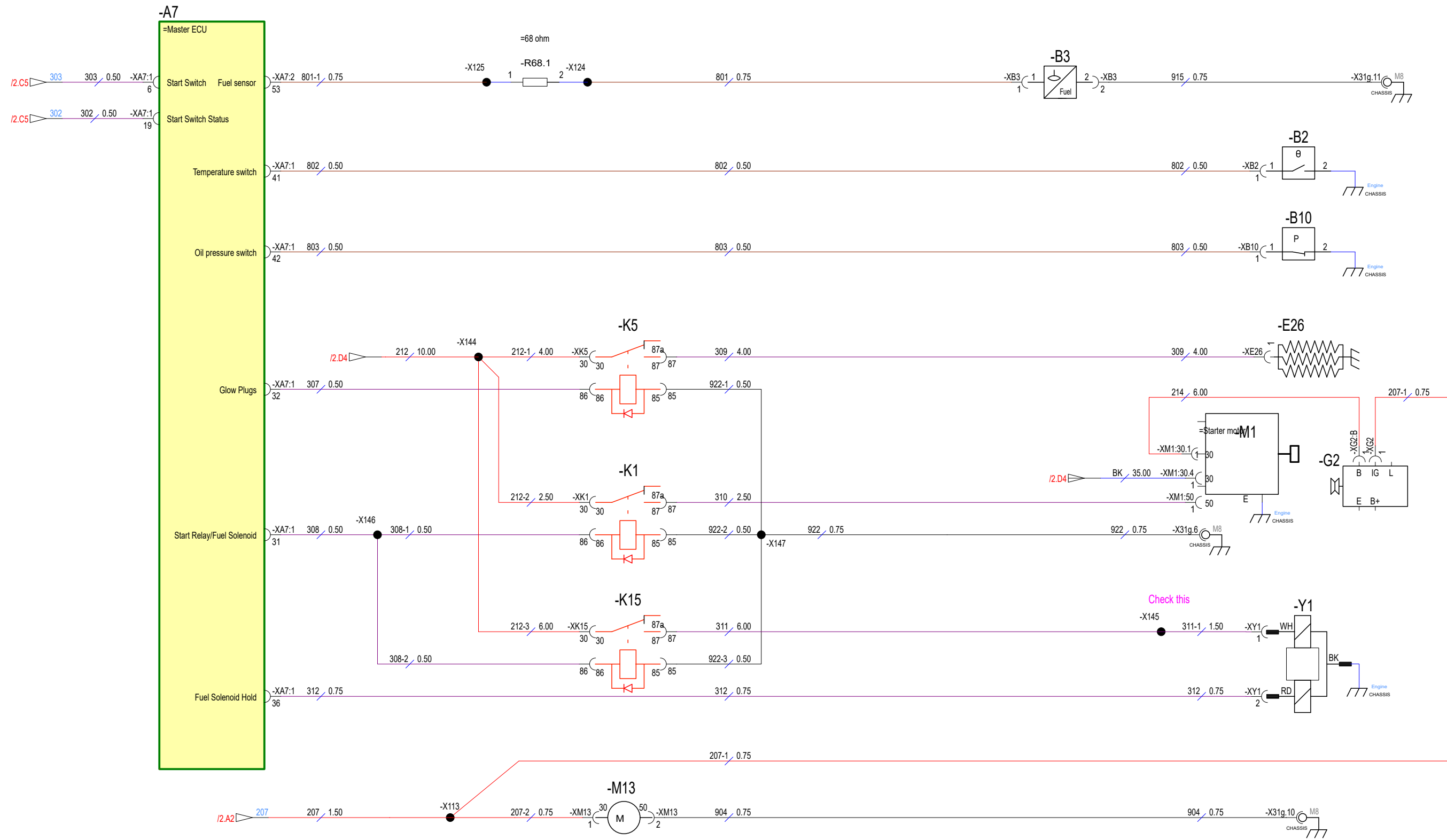
Dynapac A3 - Rev. 2017/02/28 - SFTRoP



View 	Designed by SFTRoP SFTLEO	Approved by	Project CC1100-1200 VI K3	Model CC1100-1200	
	ECN No.			Secrecy Class Dyn STD364 Confidential	Scale
DYNAPAC	Date 20160708	Description Electric diagram Power Supplier	State Production	Sheet / of 2 / 10	
	No of Change		Rev. A	No. 4812125765	

This document will remain the property of Dynapac Compaction Equipment AB and may not without a written permission of the said company be copied, communicated to any third part or used for manufacturing purposes.

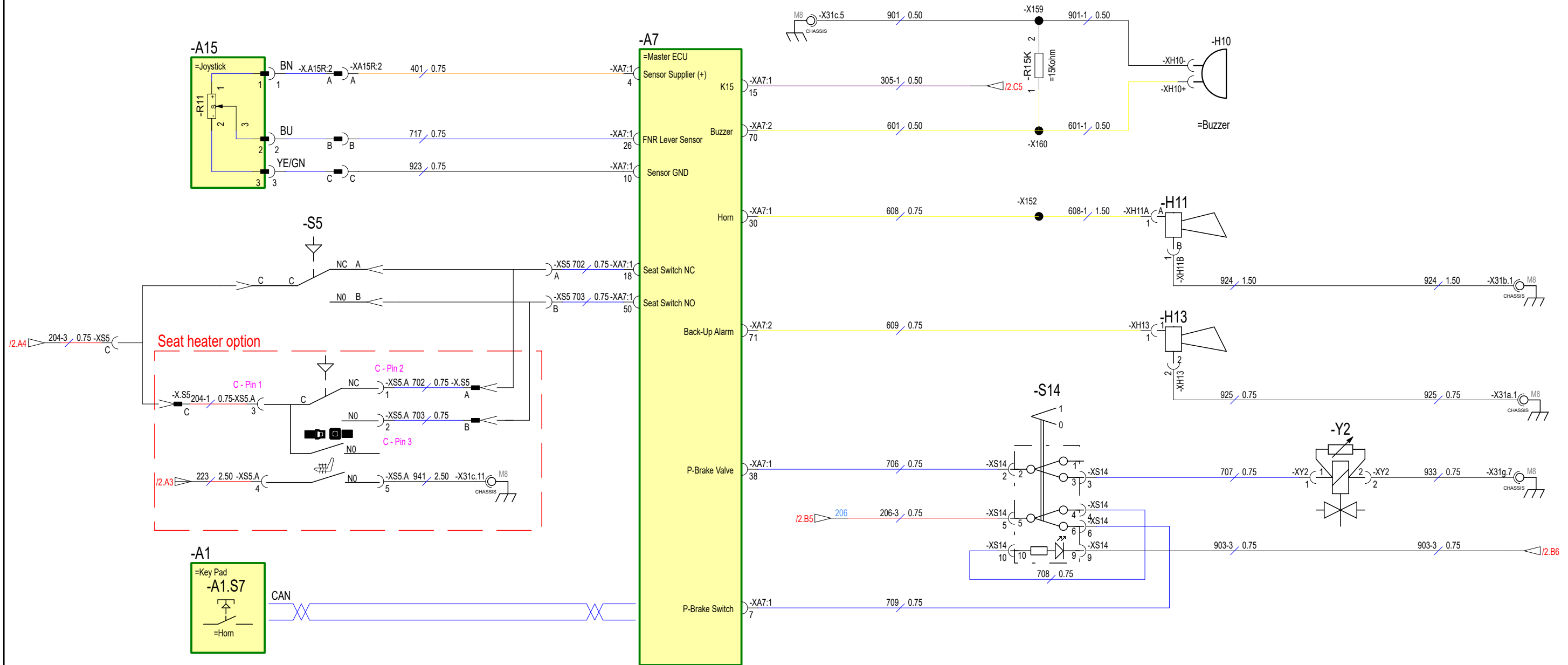
Dynapac A3 - Rev. 2017/02/28 - SFTRoP



View 	Designed by SFTRoP	Approved by SFTLEO	Project CC1100-1200 VI K3	Model CC1100-1200	
	ECN No.			Secrecy Class Dyn STD364 Confidential	
DYNAPAC		Date 20160708	Description Electric diagram Engine	State Production	Sheet / of 3 / 10
		No of Change		Rev. A	No. 4812125765

This document will remain the property of Dynapac Compaction Equipment AB and may not without a written permission of the said company be copied, communicated to any third part or used for manufacturing purposes.

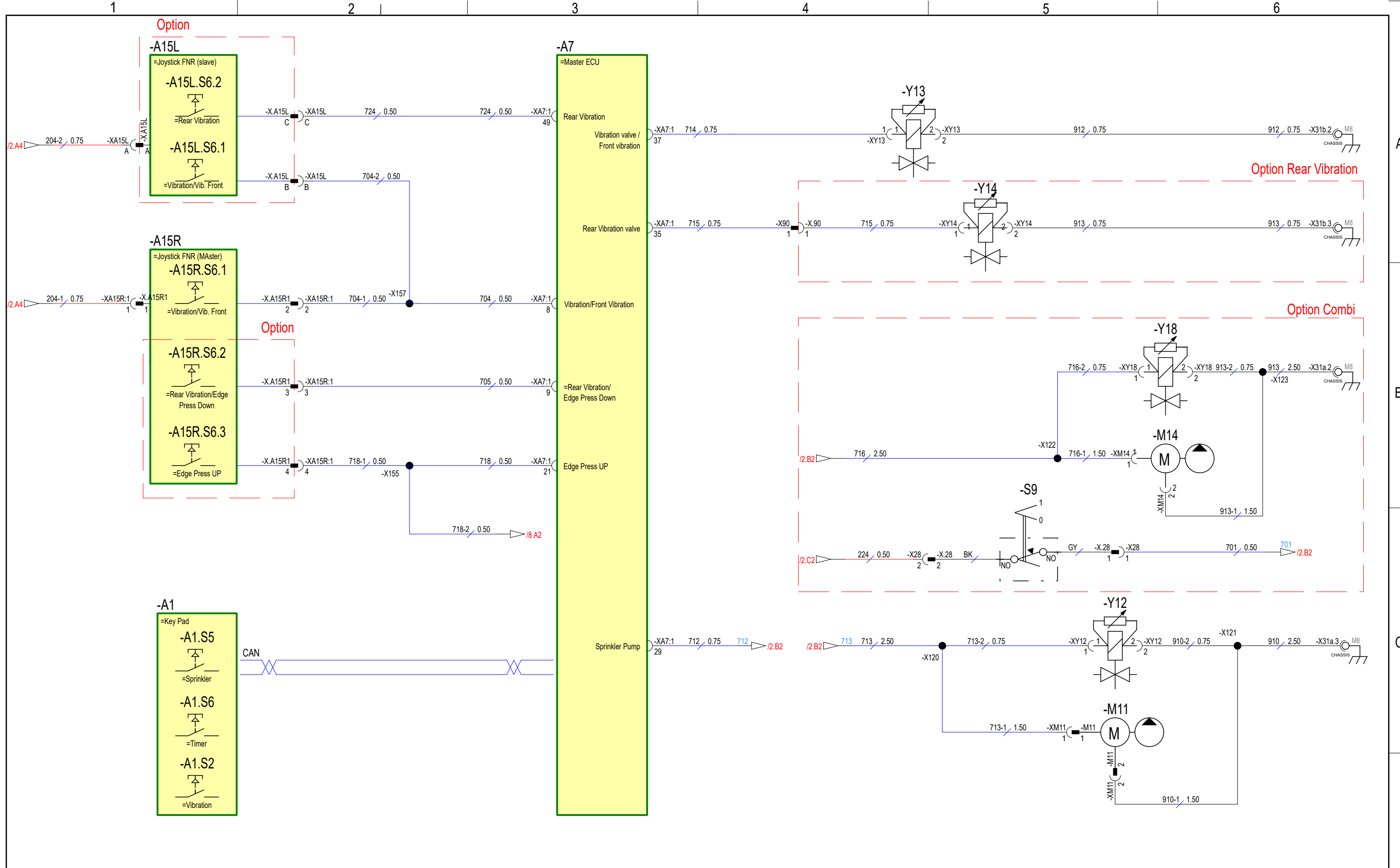
Dynapac A3 - Rev. 2017/02/28 - SFTRoP



View 	Designed by SFTRoP	Approved by SFTLEO	Project CC1100-1200 VI K3	Model CC1100-1200	
	ECN No.			Secrecy Class Dyn STD364 Confidential	Scale
DYNAPAC	Date 20160708	Description Electric diagram Parking Brake & Sounders	State Production	Sheet / of 4 / 10	
	No of Change		Rev. A	No. 4812125765	

This document will remain the property of Dynapac Compaction Equipment AB and may not without a written permission of the said company be copied, communicated to any third part or used for manufacturing purposes.

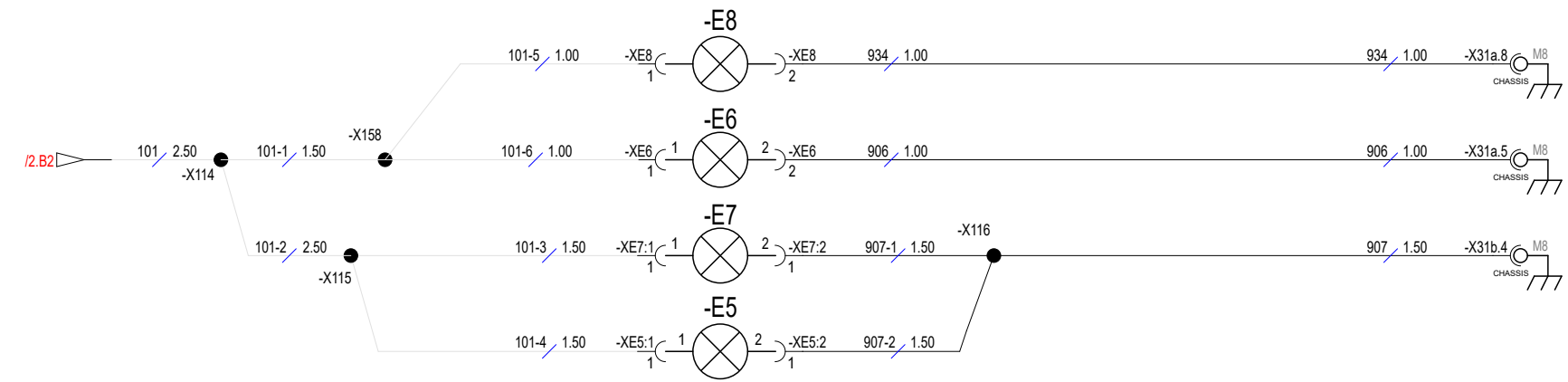
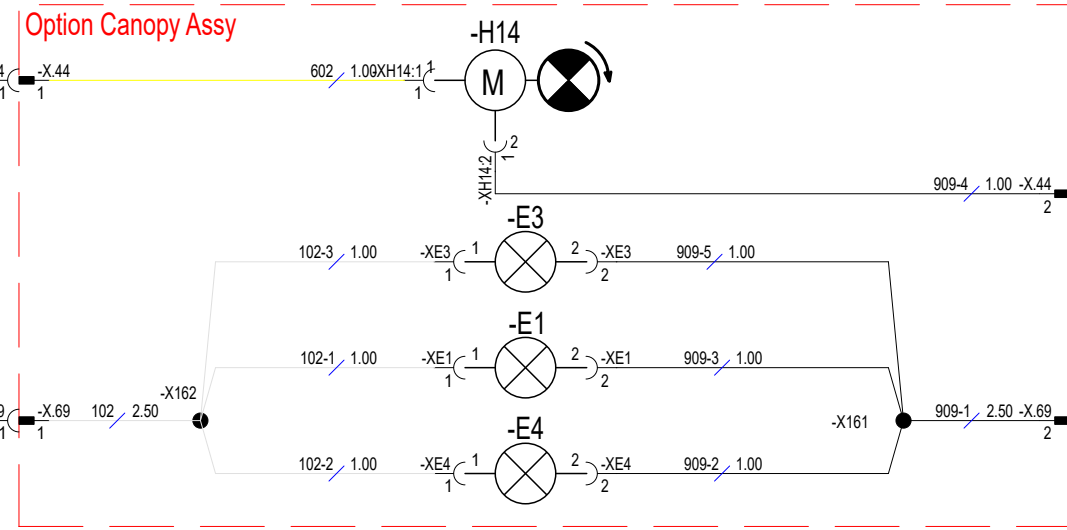
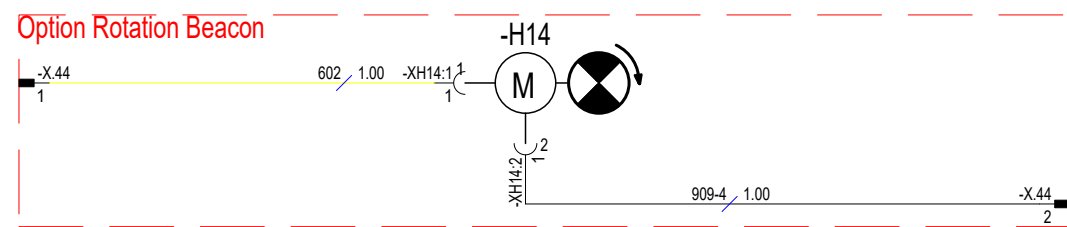
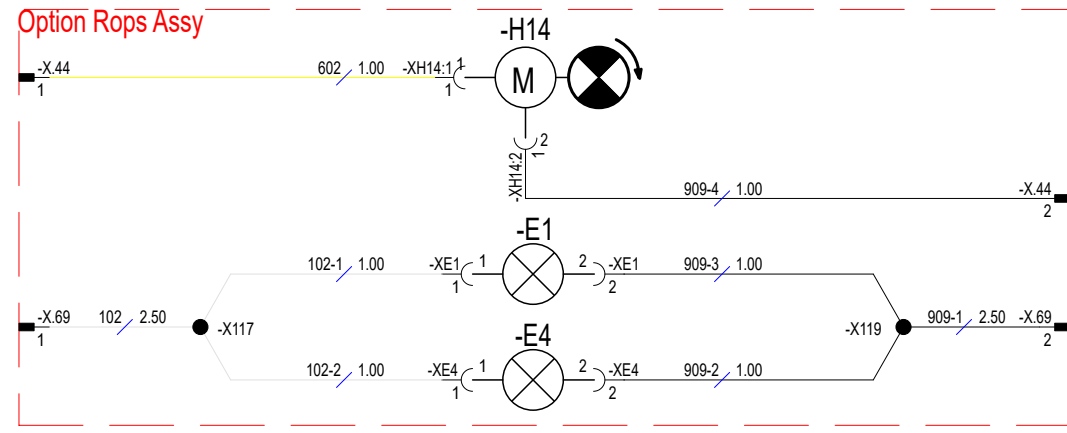
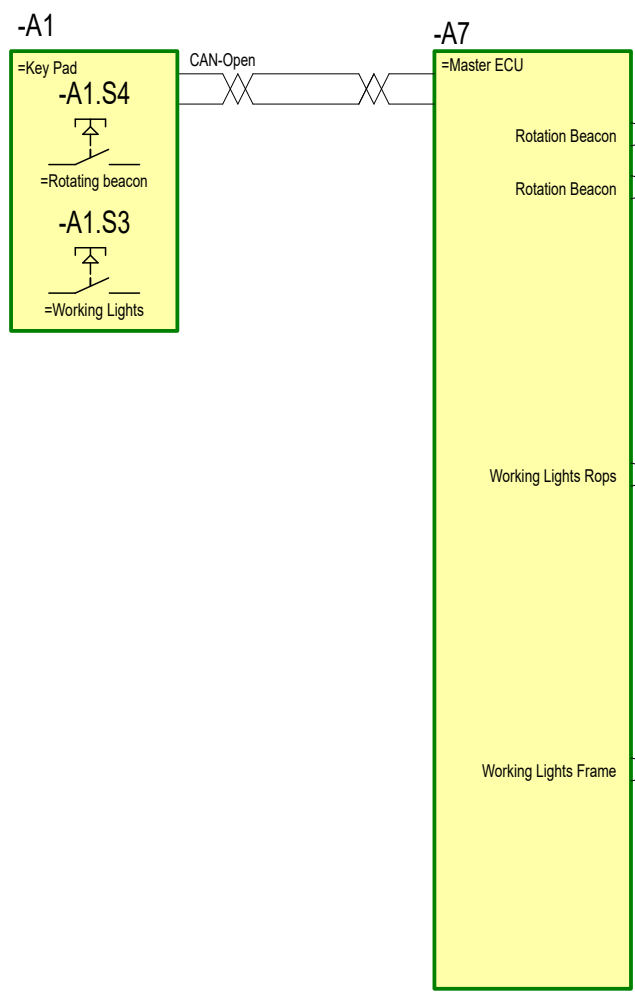
Dynapac A3 - Rev. 2017/02/28 - SFTRoP



View E	Designed by SFTRoP SFTLEO	Approved by SFTLEO	Project CC1100-1200 VI K3		Model	
	ECN No. SFTxxxxxx				Secrecy Class Dyn STD364 Confidential	Scale
DYNAPAC			Date 01/03/2017	Description Electric diagram Sprinkler & Vibration		State Production
			No of Change			Sheet / of 5 / 10
		Rev. A	No. 4812125765			

This document will remain the property of Dynapac Compaction Equipment AB and may not without a written permission of the said company be copied, communicated to any third part or used for manufacturing purposes.

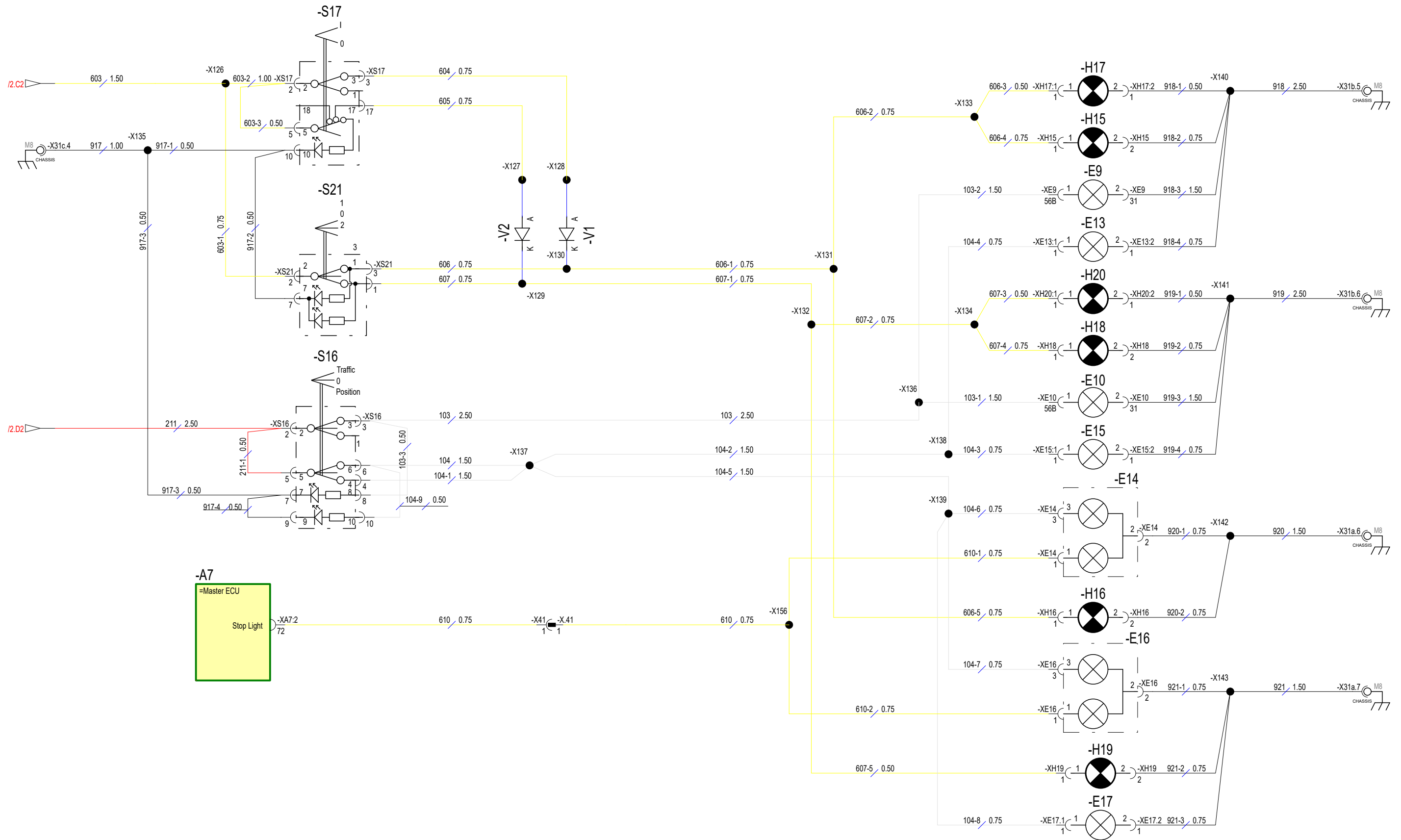
Dynapac A3 - Rev. 2017/02/28 - SFTRoP



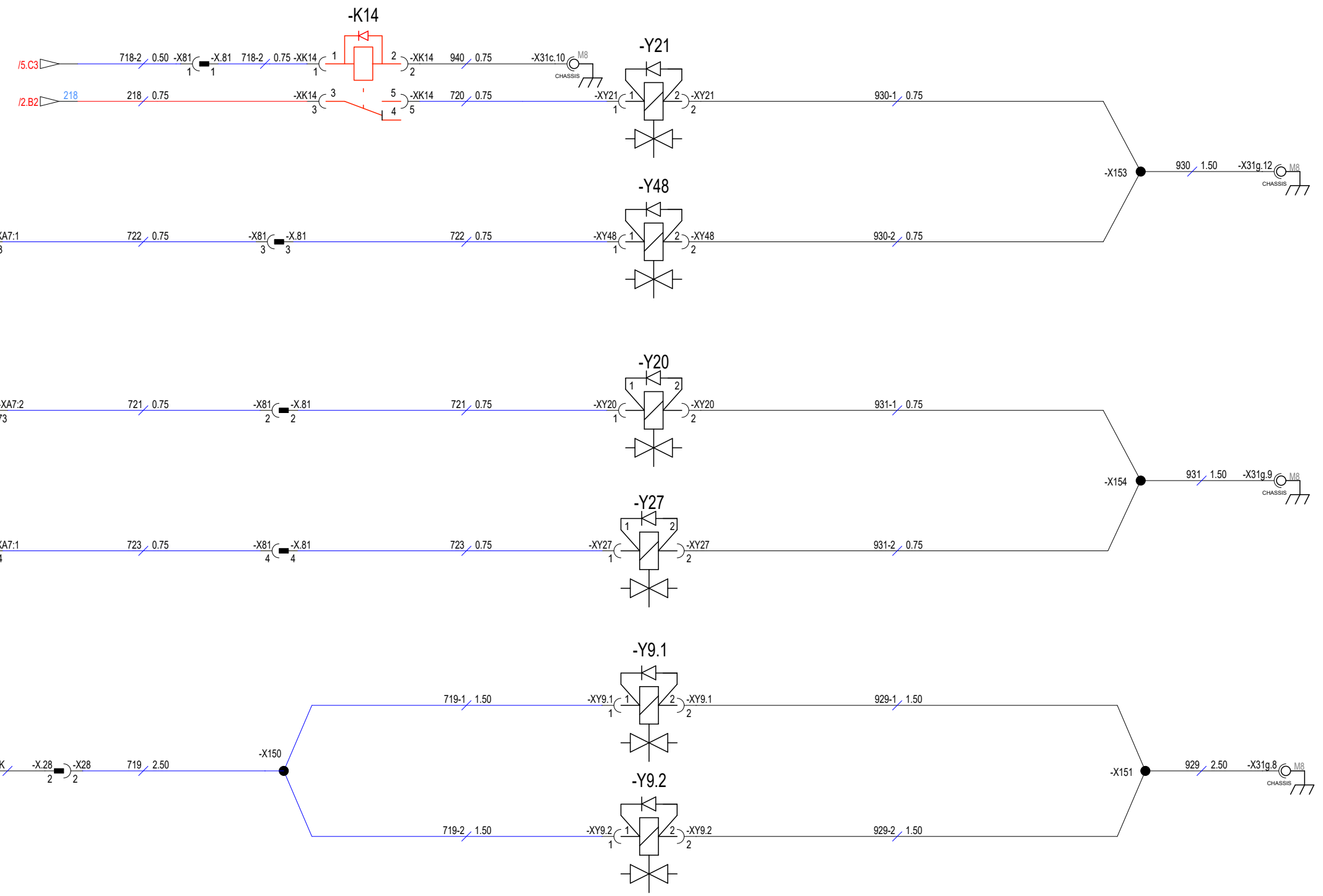
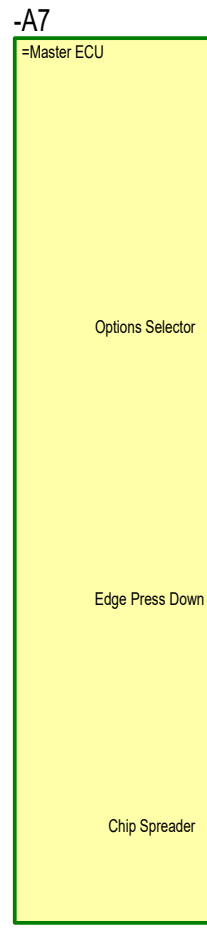
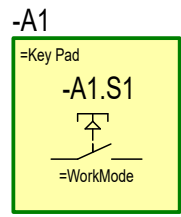
View 	Designed by SFTRoP	Approved by SFTLEO	Project CC1100-1200 VI K3	Model CC1100-1200	
	ECN No.			Secrecy Class Dyn STD364 Confidential	Scale
DYNAPAC		Date 20160708	Description Electric diagram Rotation Beacon and Work Lights	State Production	Sheet / of 6 / 10
		No of Change		Rev. A	No. 4812125765

This document will remain the property of Dynapac Compaction Equipment AB and may not without a written permission of the said company be copied, communicated to any third part or used for manufacturing purposes.

Dynapac A3 - Rev. 2017/02/28 - SFTRoP



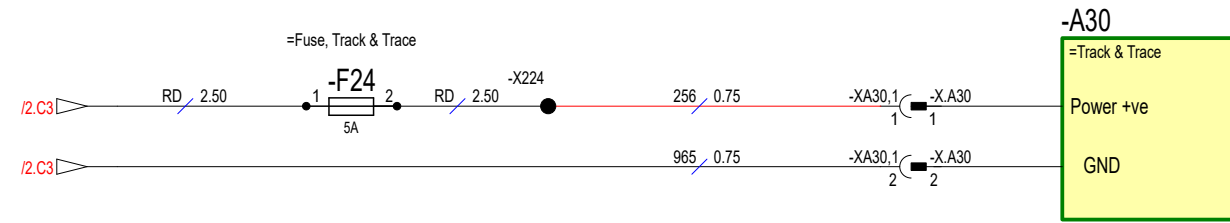
View 	Designed by SFTRoP	Approved by SFTLEO	Project CC1100-1200 VI K3	Model CC1100-1200	
	ECN No.			Secrecy Class Dyn STD364 Confidential	Scale
DYNAPAC	Date 20160708	Description Electric diagram Driving Lights	State Production	Sheet / of 7 / 10	
	No of Change		Rev. A	No. 4812125765	



This document will remain the property of Dynapac Compaction Equipment AB and may not without a written permission of the said company be copied, communicated to any third part or used for manufacturing purposes.

Dynapac A3 - Rev. 2017/02/28 - SFTRoP

	Designed by SFTRoP	Approved by SFTLEO	Project CC1100-1200 VI K3	Model CC1100-1200	
	ECN No.		Description Electric diagram Edge Press, Cheap S. & F. Divider		Secrecy Class Dyn STD364 Confidential
Date 20160708			No of Change		State Production
No. of Change				Rev. A	No. 4812125765
DYNAPAC				Sheet / of 8 / 10	



This document will remain the property of Dynapac Compaction Equipment AB and may not without a written permission of the said company be copied, communicated to any third part or used for manufacturing purposes.

Dynapac A3 - Rev. 2017/02/28 - SFTRoP

	Designed by SFTRoP	Approved by SFTLEO	Project CC1100-1200 VI K3	Model CC1100-1200	
	ECN No. SFTxxxxxx			Secrecy Class Dyn STD364 Confidential	Scale
		Date 2017-04-24	Description Electric diagram Dyn@link	State Production	Sheet / of 9 / 10
		No of Change 		Rev. A	No. 4812125765

Reference List

Device Name	Description	Sheet Ref.	Device Name	Description	Sheet Ref.
-A1	Key pad	/2.B5	-S17	Sw. Hazard	/7.A2
-A6	Fuse and relay board	/2.A2	-S21	Sw. Driving lights, Dir. indicators	/7.B2
-A7	Master ECU	/1.B6	-S39	Sw. Flow divider	/8.C2
-A13	Display unit	/2.A5	-X31	Conn. Ground engine	/2.A6
-A15L	Joystick FNR (slave)	/5.A1	-X31a	Conn. Ground, Frame rear	/2.A6
-A15R	Joystick FNR (MAster)	/5.A1	-X31b	Conn. Ground, Frame front	/2.C6
-A30	Track & Trace	/9.A4	-X31c	Conn. Ground, Control panel	/2.B6
-B2	Switch cooling water	/3.A6	-X31g	Conn. Ground, Frame	/2.D6
-B3	Level sensor fuel	/3.A5	-Y1	Valve, Fuel Solenid	/3.C6
-B10	Switch engine oil	/3.B6	-Y2	Valve, Brake	/4.C6
-E1	Working light, Front L	/6.C4	-Y9.1	Flow divider valve	/8.C4
-E3	Working light, Front L	/6.C4	-Y9.2	Flow divider valve	/8.C4
-E4	Working light, Rear R	/6.C4	-Y12	Sprinkler valve	/5.C5
-E5	Working lights, Frame, Front L	/6.D4	-Y13	Valve, Vibration high amplitude, F	/5.A4
-E6	Working lights, Frame, Rear L	/6.C4	-Y14	Valve, Vibration high amplitude, R	/5.A5
-E7	Working lights, Frame, Front R	/6.D4	-Y18	Valve, Sprinkler pump rear (combi)	/5.B5
-E8	Working lights, Frame, Rear R	/6.C4	-Y20	Valve, Edge cutter Down	/8.B4
-E9	Driv.lights, Low beam L	/7.A5	-Y21	Valve, Edge cutter Up	/8.A4
-E10	Driv.lights, Low beam R	/7.B5	-Y27	Valve, Chip spreader	/8.B4
-E13	Driv.lights, Position light, Front L	/7.B5	-Y48	Options Selector	/8.B4
-E14	Driv.lights, Pos/brake light, Rear L	/7.C5			
-E15	Driv.lights, Position light, Front R	/7.B5			
-E16	Driv.lights, Pos/brake light, Rear R	/7.C5			
-E17	Number plate light	/7.D5			
-E26	Engine Pre-heater	/3.B6			
-F8	Main fuse, Machine	/2.D4			
-F14	Main fuse, Engine	/2.D4			
-F24	Fuse, Track & Trace	/9.A3			
-F27	Fuse, Seat Heater	/2.A2			
-G1	Battery 12V	/2.D6			
-G2	Alternator	/3.C6			
-H10	Buzzer	/4.A5			
-H11	Horn	/4.B5			
-H13	Back-up alarm	/4.B5			
-H14	Rotating beacon	/6.B4			
-H15	Driv.lights, Direction, Front L	/7.A5			
-H16	Driv.lights, Direction, Rear L	/7.C5			
-H17	Driv.lights, Direction, Left side	/7.A5			
-H18	Driv.lights, Direction, Front R	/7.B5			
-H19	Driv.lights, Direction, Rear R	/7.D5			
-H20	Driv.lights, Direction, Right side	/7.B5			
-K1	Starter relay	/3.C3			
-K5	Engine pre-heater relay	/3.B3			
-K14	Edge cutter Up Relay	/8.A3			
-K15	Fuel solenoid relay	/3.C3			
-M1	Starter motor	/3.B5			
-M11	Sprinkler pump	/5.C5			
-M13	Fuel pump, electric	/3.D3			
-M14	Sprinkler pump combi	/5.B5			
-Q1	Battery switch	/2.D5			
-S1	Sw. Ignition	/2.C4			
-S2	Sw. Emergency stop	/2.C6			
-S5	Sw. Driver seat	/4.B2			
-S9	Sw. Sprinkler pump combi	/5.C5			
-S14	Sw. Parking brake	/4.C4			
-S16	Driving Lights	/7.B2			

View 	Designed by SFTRoP SFTLEO	Approved by	Project CC1100-1200 VI K3	Model CC1100-1200
	ECN No.			Secrecy Class Dyn STD364 Confidential
DYNAPAC	Date 160708	Description Electric diagram Reference List	State Production	Sheet / of 10 / 10
	No of Change		Rev. A	No. 4812125765