

Makita

Dustless Cutter

125 mm (5") MODEL 4105KB

INSTRUCTION MANUAL



DOUBLE INSULATION

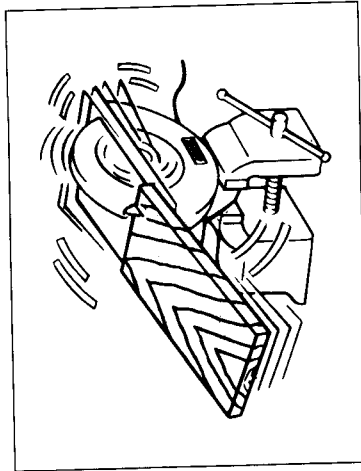
SPECIFICATIONS

Blade diameter	Max. cutting capacity	No load speed (RPM)	Overall length	Net weight
125 mm (5")	40 mm (1-5/8")	7,500	230 mm (9")	3.2 kg (7 lbs)

- * Manufacturer reserves the right to change specifications without notice.
- * Note: Specifications may differ from country to country.

ADDITIONAL SAFETY RULES

1. Check the wheel carefully for cracks or damage before operation. Replace cracked or damaged wheel immediately.
2. Use only flanges specified for this tool.
3. Be careful not to damage the spindle, flanges (especially the installing surface) or bolt. Damage to these parts could result in wheel breakage.
4. Hold the tool firmly.
5. Keep hands away from rotating parts.
6. Make sure the wheel is not contacting the workpiece before the switch is turned on.
7. Wait until the wheel attains full speed before cutting.
8. Stop operation immediately if you notice anything abnormal.
9. Do not attempt to lock the trigger in the "ON" position.
10. Never attempt to cut with the tool held upside down in a vise. This can lead to serious accidents, because it is extremely dangerous.



11. Before setting the tool down after completing a cut, be sure that the wheel has come to a complete stop.
- SAVE THESE INSTRUCTIONS.**

Removing or installing diamond wheel

CAUTION:

Always be sure that the tool is switched off and unplugged before removing or installing the wheel.

Remove the blade cover.



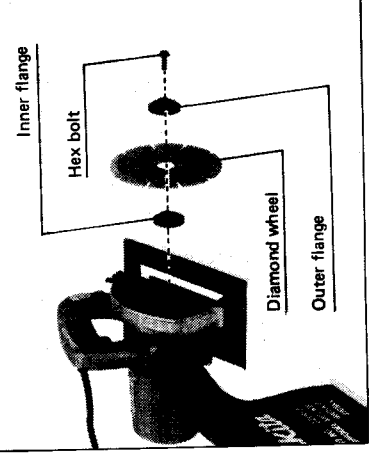
Hold the outer flange with the wrench and loosen the hex bolt clockwise with the socket wrench. Then remove the hex bolt, outer flange and wheel.

To install the wheel, follow the removal procedure in reverse.

BE SURE TO TIGHTEN THE HEX BOLT SECURELY.

CAUTION:

Use only the Makita wrench and socket wrench to install or remove the wheel.

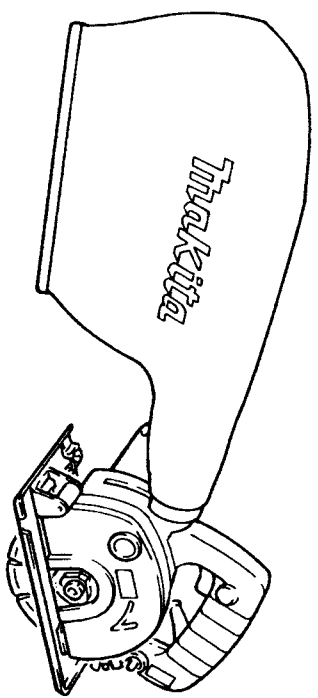




Dustless Cutter

MODEL 4105KB

INSTRUCTION MANUAL

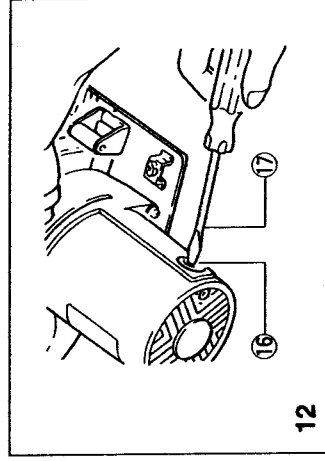
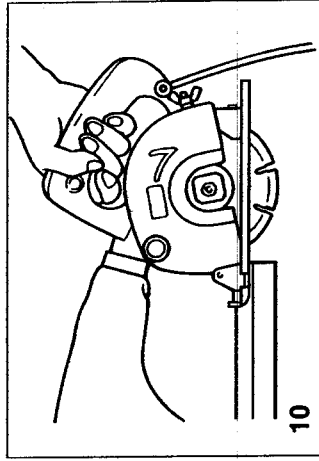
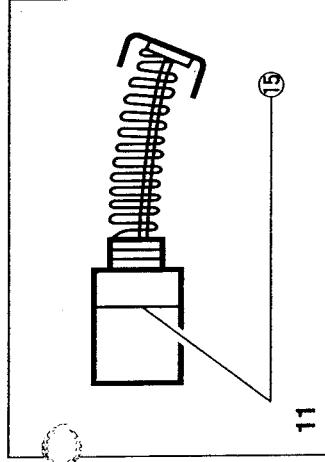
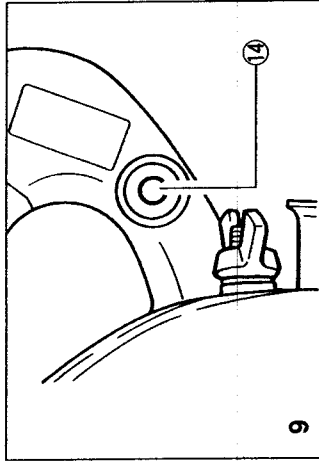
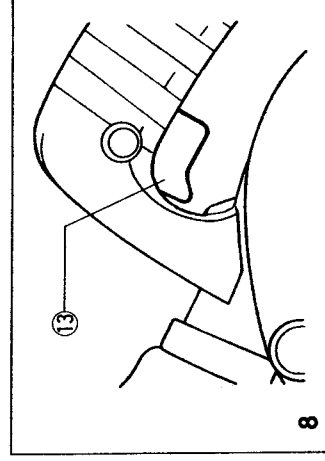
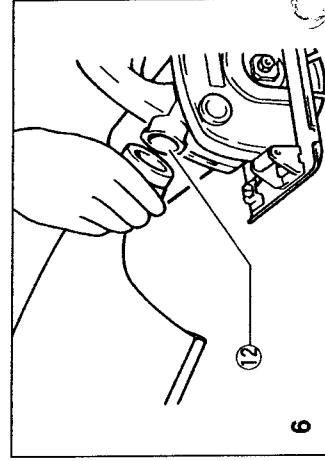
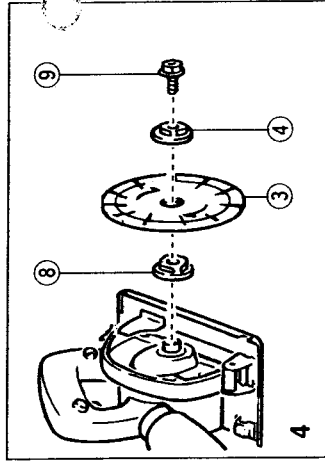
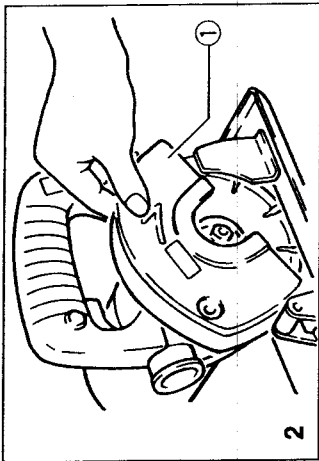
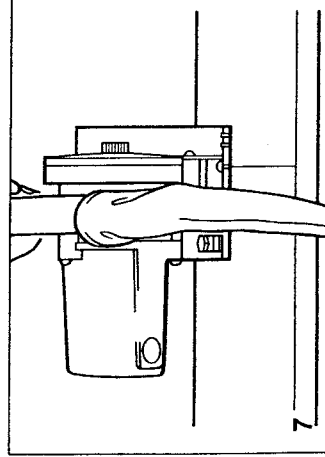
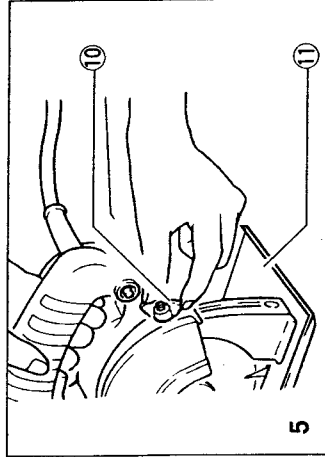
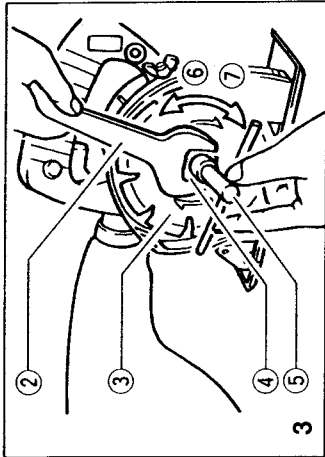
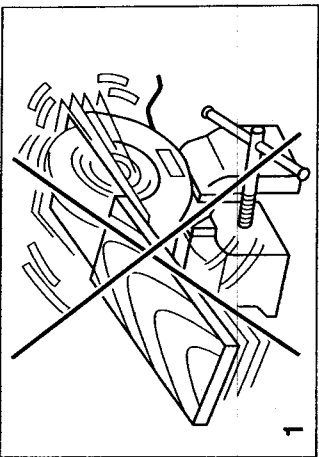


Makita Corporation

Anjo, Aichi Japan
Made in Japan

883907B7

PRINTED IN JAPAN
1998-12E



Explanation of general view

- | | | |
|-----------------|----------------|--------------------|
| ① Blade cover | ⑦ Loosen | ⑬ Switch trigger |
| ② Wrench | ⑧ Inner flange | ⑭ Restart button |
| ③ Diamond wheel | ⑨ Hex bolt | ⑮ Limit mark |
| ④ Outer flange | ⑩ Wing nut | ⑯ Brush holder cap |
| ⑤ Socket wrench | ⑪ Base | ⑰ Screwdriver |
| ⑥ Tighthen | ⑫ Dust spout | |

SPECIFICATIONS

Model	4105KB
Blade diameter	125 mm
Max. cutting capacity	40 mm
No load speed (RPM)	7,500
Overall length	230 mm
Net weight	3,2 kg

- Due to the continuing program of research and development, the specifications herein are subject to change without prior notice
- Note: Specifications may differ from country to country.

Power supply

The machine should be connected only to a power supply of the same voltage as indicated on the nameplate, and can only be operated on single-phase AC supply. They are double-insulated in accordance with European Standard and can, therefore, also be used from sockets without earth wire.

These symbols mean:

- ⓘ Read instruction manual.
- Ⓜ DOUBLE INSULATION

SAFETY INSTRUCTIONS

Warning! When using electric machines, basic safety precautions should always be followed to reduce the risk of fire, electric shock and personal injury, including the following. Read all these instructions before attempting to operate this product and save these instructions.

For safe operation:

- 1. Keep work area clean**
Cluttered areas and benches invite injuries.
- 2. Consider work area environment**
Don't expose power machines to rain. Don't use power machines in damp or wet locations. Keep work area well lit. Don't use power machines in presence of flammable liquids or gases.
- 3. Guard against electric shock**
Prevent body contact with grounded surfaces (e.g. pipes, radiators, ranges, refrigerators).
- 4. Keep children away**
Do not let visitors contact machine or extension cord. All visitors should be kept away from work area.
- 5. Store idle machines**
When not in use, machines should be stored in dry, high, or locked-up place, out of the reach of children.

6. Don't force machine

It will do the job better and safer at the rate for which it was intended.

7. Use right machine

Don't force small machines or attachments to do the job of a heavy duty machine. Don't use machines for purposes not intended; for example, don't use circular saw for cutting tree limbs or logs.

8. Dress properly

Do not wear loose clothing or jewelry. They can be caught in moving parts. Rubber gloves and non-skid footwear are recommended when working outdoors. Wear protective hair covering to contain long hair.

9. Use safety glasses

Also use face or dust mask if cutting operation is dusty.

10. Don't abuse cord

Never carry machine by cord or yank it to disconnect it from receptacle. Keep cord from heat, oil and sharp edges.

11. Secure work

Use clamps or a vise to hold work. It's safer than using your hand and it frees both hands to operate machine.

12. Don't overreach

Keep proper footing and balance at all times.

13. Maintain machines with care

Keep machines sharp and clean for better and safer performance. Follow instructions for lubricating and changing accessories. Inspect machine cords periodically and, if damaged, have repaired by authorized service facility. Inspect extension cords periodically and replace if damaged. Keep handles dry, clean and free from oil and grease.

14. Disconnect machines

When not in use, before servicing, and when changing accessories such as blades, bits and cutters.

15. Remove adjusting keys and wrenches

Form the habit of checking to see that keys and adjusting wrenches are removed from machine before turning it on.

16. Avoid unintentional starting

Don't carry plugged-in machine with finger on switch. Be sure switch is off when plugging in.

17. Outdoor use extension cords

When machine is used outdoors, use only extension cords intended for use outdoors and so marked.

18. Stay alert

Watch what you are doing. Use common sense. Do not operate machine when you are tired.

19. Check damaged parts

Before further use of the machine, a guard or other part that is damaged should be carefully checked to determine that it will operate properly and perform its intended function. Check for alignment of moving parts, binding of moving parts, breakage of parts, mounting, and any other conditions that may affect its operation. A guard or other part that is damaged should be properly repaired or replaced by an authorized service center unless otherwise indicated elsewhere in this instruction manual. Have defective switches replaced by an authorized service center. Do not use machine if switch does not turn it on and off.

20. Warning

The use of any other accessory or attachment other than recommended in this operating instruction or the catalog may present a risk of personal injury.

21. Have your machine repaired by an expert

This electric appliance is in accordance with the relevant safety rules. Repairing of electric appliances may be carried out only by experts otherwise it may cause considerable danger for the user.

ADDITIONAL SAFETY RULES

1. Check the wheel carefully for cracks or damage before operation. Replace cracked or damaged wheel immediately.
2. Use only flanges specified for this machine.
3. Be careful not to damage the spindle, flanges (especially the installing surface) or bolt. Damage to these parts could result in wheel breakage.
4. Hold the machine firmly.
5. Keep hands away from rotating parts.
6. Make sure the wheel is not contacting the workpiece before the switch is turned on.
7. Wait until the wheel attains full speed before cutting.
8. Stop operation immediately if you notice anything abnormal.
9. Do not attempt to lock the trigger in the "ON" position.
10. Never attempt to cut with the machine held upside down in a vise. This can lead to serious accidents, because it is extremely dangerous. (Fig. 1)
11. Before setting the machine down after completing a cut, be sure that the wheel has come to a complete stop.

SAVE THESE INSTRUCTIONS.

OPERATING INSTRUCTIONS

Removing or installing diamond wheel (Fig. 2, 3 & 4)

Important:

Always be sure that the machine is switched off and unplugged before removing or installing the wheel.

Remove the blade cover.

Hold the outer flange with the wrench and loosen the hex bolt clockwise with the socket wrench. Then remove the hex bolt, outer flange and wheel.

To install the wheel, follow the removal procedure in reverse.

BE SURE TO TIGHTEN THE HEX BOLT SECURELY.

CAUTION:

Use only the Makita wrench and socket wrench to install or remove the wheel.

Adjusting depth of cut (Fig. 5)

Loosen the wing nut on the depth guide and move the base up or down. At the desired depth of cut, secure the base by tightening the wing nut.

CAUTION:

After adjusting the depth of cut, always tighten the wing nut securely.

Dust bag (Fig. 6)

The use of the dust bag makes cutting operations clean and dust collection easy. To attach the dust bag, fit it onto the dust spout. When the dust bag is about one-third full, remove the dust bag from the machine and pull the fastener out. Empty the dust bag of its contents, taping it lightly so as to remove particles adhering to the insides which might hamper collection.

Sighting (Fig. 7)

Align the notch in the front of the base with your cutting line on the workpiece.

Switch action (Fig. 8)

CAUTION:

Before plugging in the machine, always check to see that the switch trigger actuates properly and returns to the "OFF" position when released.

To start the machine, simply pull the trigger. Release the trigger to stop.

Overload protector (Fig. 9)

The overload protector automatically cuts out to break the circuit and the button pops out, whenever heavy work is prolonged. Wait 20 - 30 seconds before pressing the restart button to resume operation. Your finger should not be on the trigger when you press the restart button, however.

Operation (Fig. 10)

Hold the machine firmly. Set the base plate on the workpiece to be cut without the wheel making any contact. Then turn the machine on and wait until the wheel attains full speed. Now simply move the machine forward over the workpiece surface, keeping it flat and advancing smoothly until the cutting is completed. Keep your cutting line straight and your speed of advance uniform.

CAUTION:

Be sure to move the machine forward in a straight line and gently. Forcing and exerting excessive pressure or allowing the wheel to bend, pinch or twist in the cut can cause overheating of the motor and dangerous kickback of the machine.

MAINTENANCE

CAUTION:

Always be sure that the machine is switched off and unplugged before carrying out any work on the machine.

Replacement of carbon brushes (Fig. 11 & 12)

Replace carbon brushes when they are worn down to the limit mark. Both identical carbon brushes should be replaced at the same time.

After use

After use, remove dust from the inside of the machine by running the machine at an idle for a while. Accumulation of dust in the motor may cause a malfunction of the machine.

To maintain product safety and reliability, repairs, maintenance or adjustment should be carried out by Makita Authorized Service Center.